

Foreword

In the manual of PS series hydraulic disc brake system, its structure is introduced. Read the manual thoroughly before you operate or repair the disc brake. And install, use and repair it correctly according to the manual.

The operation effects and service-life of the disc brake system are related with design, manufacturing, and also proper operation of customers. We would like to supply customers with high quality products in compliance with the quality assurance system, and also hope that the operators can carefully read the manual to give full play to the quality and the performance of products and successfully achieve the expectant drilling operations.

Due to design improvements or special order, the products delivered way have slight deference with the Manudl, These differences won't affect the understanding of the product's structure, performance and application. please contact with us, If having any questions,

As for the continuous improvements on the drilling technology, you will have new requirements on the application. We will be very happy to continuously improve our products and to meet with your special requirements.

Welcome to contact with us.

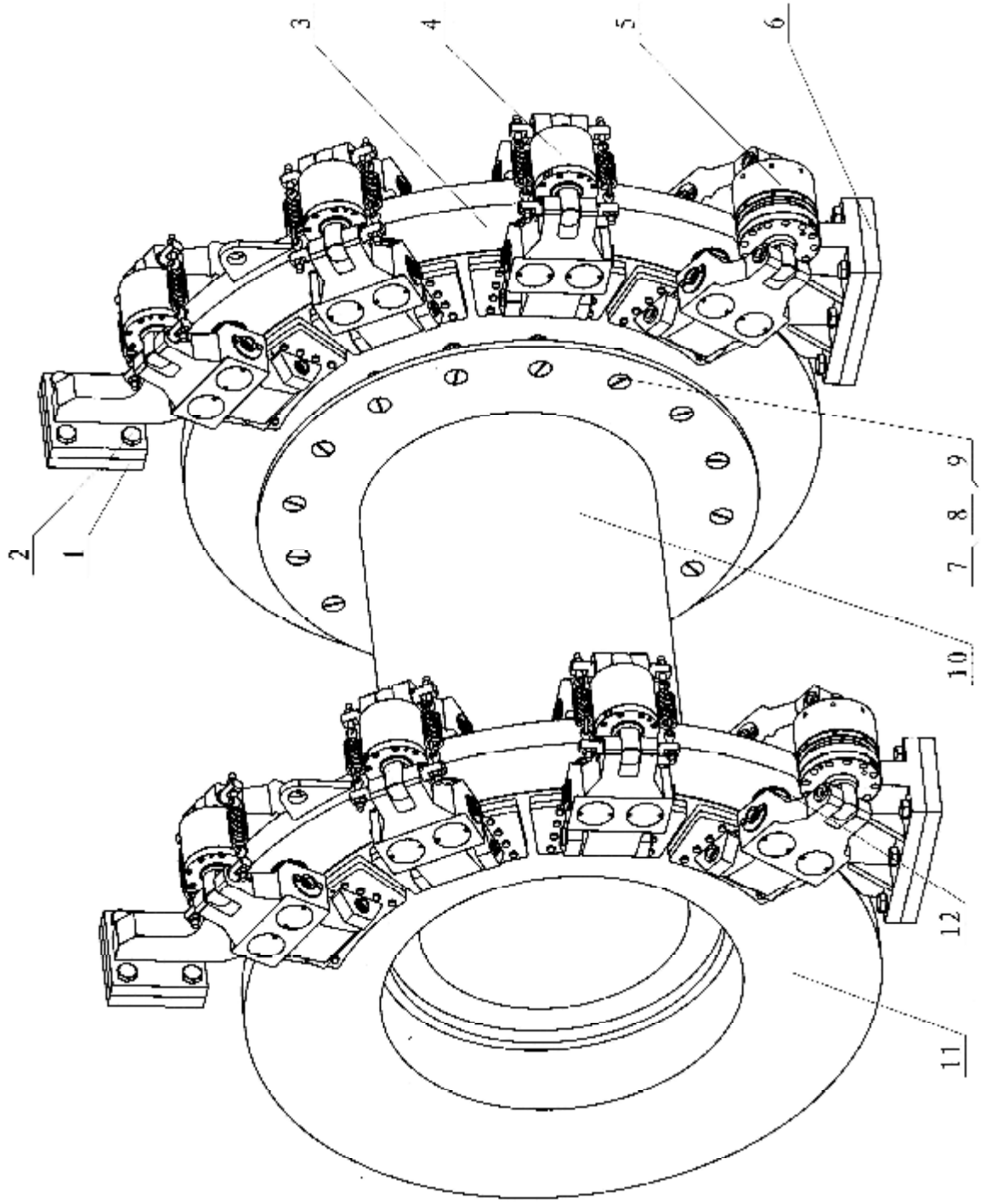
目 录

1. 执行机构	-----1
2. 安全钳	-----3
3. 安全钳油缸	-----12
4. 工作钳	-----21
5. 工作钳油缸	-----30
6. 液压站	-----33
7. 操作系统	-----38
8. 司钻阀总成	-----41
9. 操作台阀组 I	-----46
10. 操作台阀组 II	-----48

Contents

1. Actuating mechanism -----	1
2. Emergency caliper -----	3
3. Emergency caliper cylinder assembly -----	12
4. Service caliper -----	21
5. Service caliper cylinder assembly -----	30
6. Hydraulic power unit -----	33
7. Control system -----	38
8. Service brake valve assembly -----	41
9. Valve group I -----	46
10. Valve group II -----	48

执行机构
Actuating mechanism



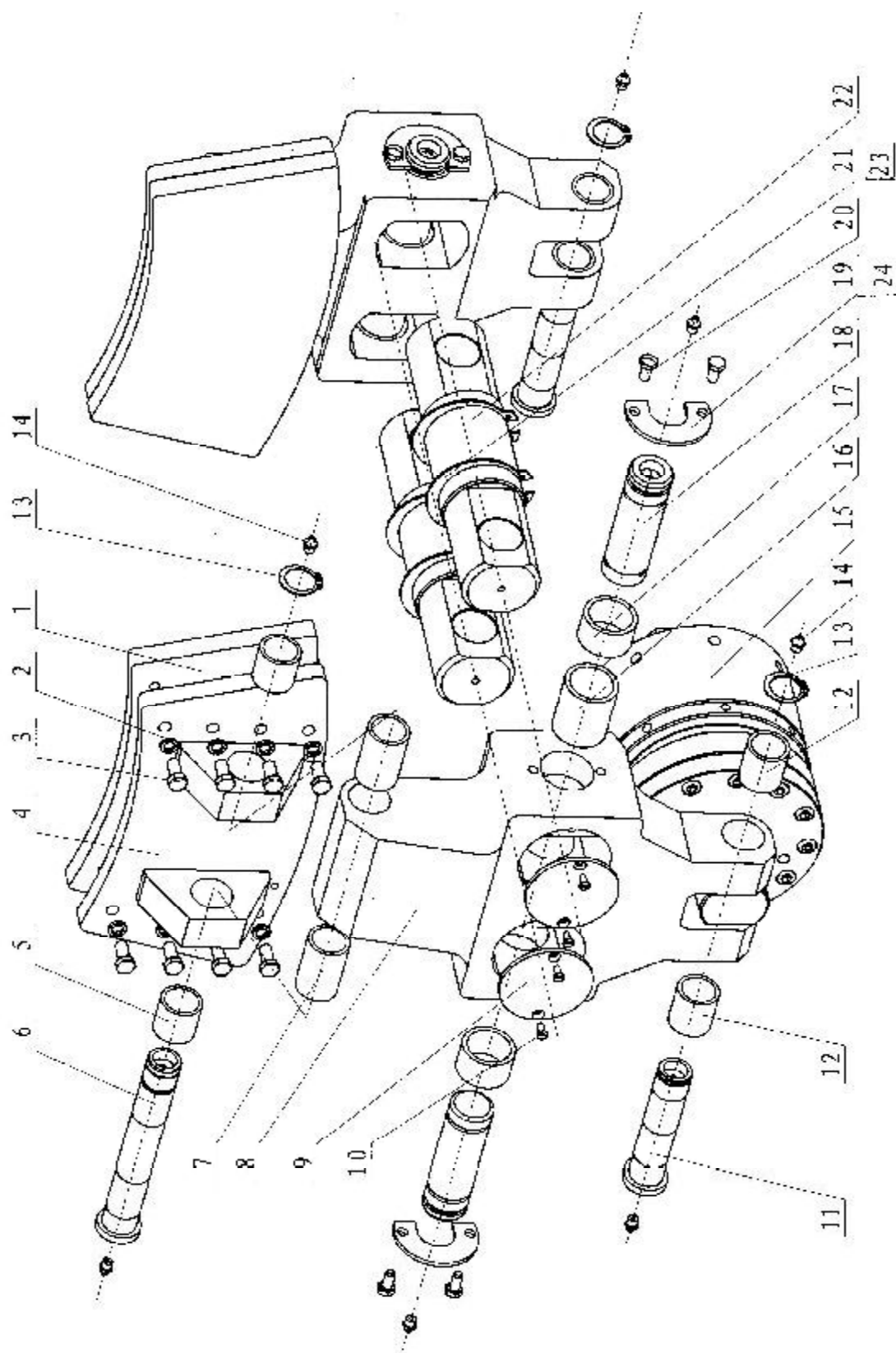
盘刹零件明细表

序号	零件号	名称、规格	单机数量	重量 kg	体积
—	PSZ75B-70D-B-00	盘式刹车执行机构		4200	2.4X1.1X1.3m³
1	PSZ75B-70D-B-01-04	上座板	2	14	
2	PSZ75B-70D-B-03	六角头螺栓	20	0.8	
3	PSZ75B-70D-B-01-00	钳架	2	253	
4	BK-00-7B	工作钳	6	200	
5	BK-0-7B	安全钳	2	220	
6	PSZ75B-70D-B-01-01	下座板	2	32	
7	PSZ75-1-04	沉头螺栓	32	2	
8	GB6179-86	六角头开槽螺母	32		
9	GB91-86	开口销	32		
10		滚筒			
11	PSZ75B-70D-B-04-00	刹车盘	2	906	1.7X1.7X0.5m ³
12	PSZ75B-70D-B-01-05	轴套	16	0.9	

Parts list

Sn	Part №	Description	Q-ty	Weight	Volume
—	PSZ75B-70D-B-00	Actuating mechanism		4200	2.4X1.1X1.3m³
1	PSZ75B-70D-B-01-04	Upper mounting base	2	14	
2	PSZ75B-70D-B-03	Hexagon head bolt	20	0.8	
3	PSZ75B-70D-B-01-00	Caliper frame	2	253	
4	BK-00-7B	Service calipers	6	200	
5	BK-0-7B	Emergency calipers	2	220	
6	PSZ75B-70D-B-01-01	Lower mounting base	2	32	
7	PSZ75-1-04	Slotted countersunk head screw	32	2	
8	GB6179-86	Hexagon slotted and castle nut	32		
9	GB91-86	Split pin	32		
10		Drum			
11	PSZ75B-70D-B-04-00	Friction disc	2	906	1.7X1.7X0.5m ³
12	PSZ75B-70D-B-01-05	Sleeve	16	0.9	

安全钳
Emergency caliper



Part list (75A Emergency calipers)

Sn	Part №	Description	Q-ty	Weight	Remarks
— —	BK-0-7A	Emergency caliper		220	0.11m³
1	BK-1-7A	Brake pad	2	5.8	
2	GB93-87	washer 12	16		
3	GB5782-86	Hexagon head bolt M12×30	16		
4	BK-2-7A	Steel backing	2	14.3	
5	BK-3-7A	Sleeve	4	0.15	
6	BK-4-7A	Clevis pin with head	2	1.7	
7	BK-3-7A1	Sleeve	4	0.25	
8	BK-5-7A	Lever	2	44	
9	BK-6-7A	Cover plate	4	0.28	
10	GB68-85	Slotted countersunk head screw M6×12	8		
11	BK-4-7A1	Clevis pin with head	2	1.08	
12	BK-3-7A2	Sleeve	4	0.17	
13	GB894.2-86	Circlip for shaft 35	4		
14	GB1152-79	Grease cup M8×1	12		
15	BK-7-7A	Emergency caliper cylinder assembly	1	49	0.02 m ³
16	BK-3-7A3	Sleeve	2	0.39	
17	BK-3-7A4	Sleeve	4	0.17	
18	BK-4-7A2	Clevis pin	4	1.69	
19	BK-8-7A	Semicircle retaining ring	4	0.11	
20	GB5782-86	Hexagon head bolt M10×16	8		
21	GB894.2-86	Circlip for shaft 85	4		
22	BK-9-7A	Support arm	2	11.9	
23	BK-10-7A	baffle plate	4	0.08	
24	GB93-87	washer 10	8		

Part list (75B Emergency calipers)

Sn	Part №	Description	Q-ty	Weight	Remarks
--	BK-0-7B	Emergency caliper		220	0.11m³
1	BK-1-7B	Brake pad	2	5.8	
2	GB93-87	washer 12	16		
3	GB5782-86	Hexagon head bolt M12×30	16		
4	BK-2-7B	Steel backing	2	14.3	
5	BK-3-7B	Sleeve	4	0.15	
6	BK-4-7B	Clevis pin with head	2	1.7	
7	BK-3-7B1	Sleeve	4	0.25	
8	BK-5-7B	Lever	2	44	
9	BK-6-7A	Cover plate	4	0.28	
10	GB68-85	Slotted countersunk head screw M6×12	8		
11	BK-4-7B1	Clevis pin with head	2	1.08	
12	BK-3-7B2	Sleeve	4	0.17	
13	GB894.2-86	Circlip for shaft 35	4		
14					
15	BK-7-7B	Emergency caliper cylinder assembly	1	49	0.02 m ³
16	BK-3-7B3	Sleeve	2	0.39	
17	BK-3-7B4	Sleeve	4	0.17	
18	BK-4-7B2	Clevis pin	4	1.69	
19	BK-8-7A	Semicircle retaining ring	4	0.11	
20	GB5782-86	Hexagon head bolt M10×16	8		
21	GB894.2-86	Circlip for shaft 85	4		
22	BK-9-7A	Support arm	2	11.9	
23	BK-10-7A	baffle plate	4	0.08	
24	GB93-87	washer 10	8		

Part list (65A Emergency calipers)

Sn	Part №	Description	Q-ty	Weight	Remarks
--	BK-0-6A	Emergency caliper		220	0.11m³
1	BK-1-6A	Brake pad	2	5.8	
2	GB93-87	washer 12	12		
3	GB5782-86	Hexagon head bolt M12×30	12		
4	BK-2-6A	Steel backing	2	14.3	
5	BK-3-6A	Sleeve	4	0.15	
6	BK-4-6A	Clevis pin with head	2	1.7	
7	BK-3-6A1	Sleeve	4	0.25	
8	BK-5-6A	Lever	2	44	
9	BK-6-6A	Cover plate	4	0.28	
10	GB819-86	Slotted countersunk head screw M6×12	8		
11	BK-4-6A1	Clevis pin with head	2	1.08	
12	BK-3-6A2	Sleeve	4	0.17	
13	GB894.2-86	Circlip for shaft 30	4		
14	GB1152-79	Grease cup M8×1	8		
15	BK-7-6A	Emergency caliper cylinder assembly	1	49	0.02 m ³
16	BK-3-6A3	Sleeve	4	0.39	
17	BK-3-6A4	Sleeve	4	0.17	
18	BK-4-6A2	Clevis pin	4	1.69	
19	BK-8-6A	Semicircle retaining ring	4	0.11	
20	GB5782-86	Hexagon head bolt M8×16	8		
21	GB894.2-86	Circlip for shaft 75	4		
22	BK-9-6A	Support arm	2	11.9	
23	BK-10-6A	baffle plate	4	0.08	
24	GB93-87	washer 8	8		

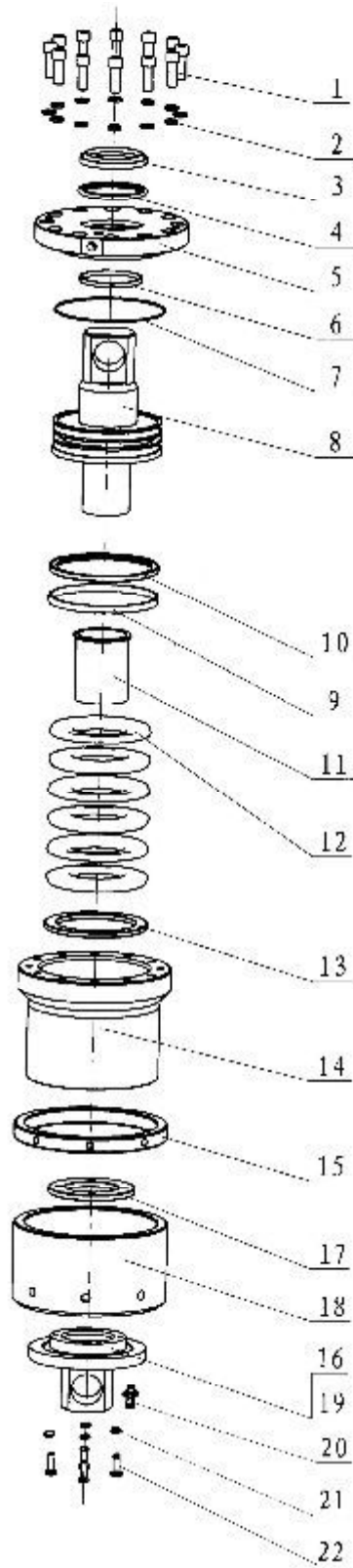
盘刹零件明细表 (65C 安全钳)

序号	零件号	名称、规格	单机数量	重量 kg	体积
—	BK-0-6C	安全钳		220	0.11m³
1	BK-1-6A	刹车片	2	5.8	
2	GB93-87	锁紧垫圈 12	12		
3	GB5782-86	六角头螺栓 M12×30	12		
4	BK-2-6C	钳体	2	14.3	
5	BK-3-6C	轴套	4	0.15	
6	BK-4-6C	销轴	2	1.7	
7	BK-3-6C1	轴套	6	0.25	
8	BK-5-6C	杠杆	2	44	
9	BK-6-6A	堵板	4	0.28	
10	GB819-86	沉头螺钉 M6×12	8		
11	BK-4-6C1	销轴	2	1.08	
12	BK-3-6C2	轴套	4	0.17	
13	GB894.2-86	轴用弹性挡圈 30	4		
14			无		
15	BK-7-6C	安全钳油缸总成	1	49	0.02 m ³
16	BK-3-6C3	轴套	4	0.39	
17	BK-3-6C4	轴套	4	0.17	
18	BK-4-6C2	销轴	4	1.69	
19	BK-8-6A	半圆挡圈	4	0.11	
20	GB5782-86	六角头螺栓 M8×16	8		
21	GB894.2-86	轴用弹性挡圈 75	4		
22	BK-9-6C	支杆	2	11.9	
23	BK-10-6A	挡板	4	0.08	
24	GB93-87	垫圈 8	8		
	BK-3-6C5	支杆用轴套	4		

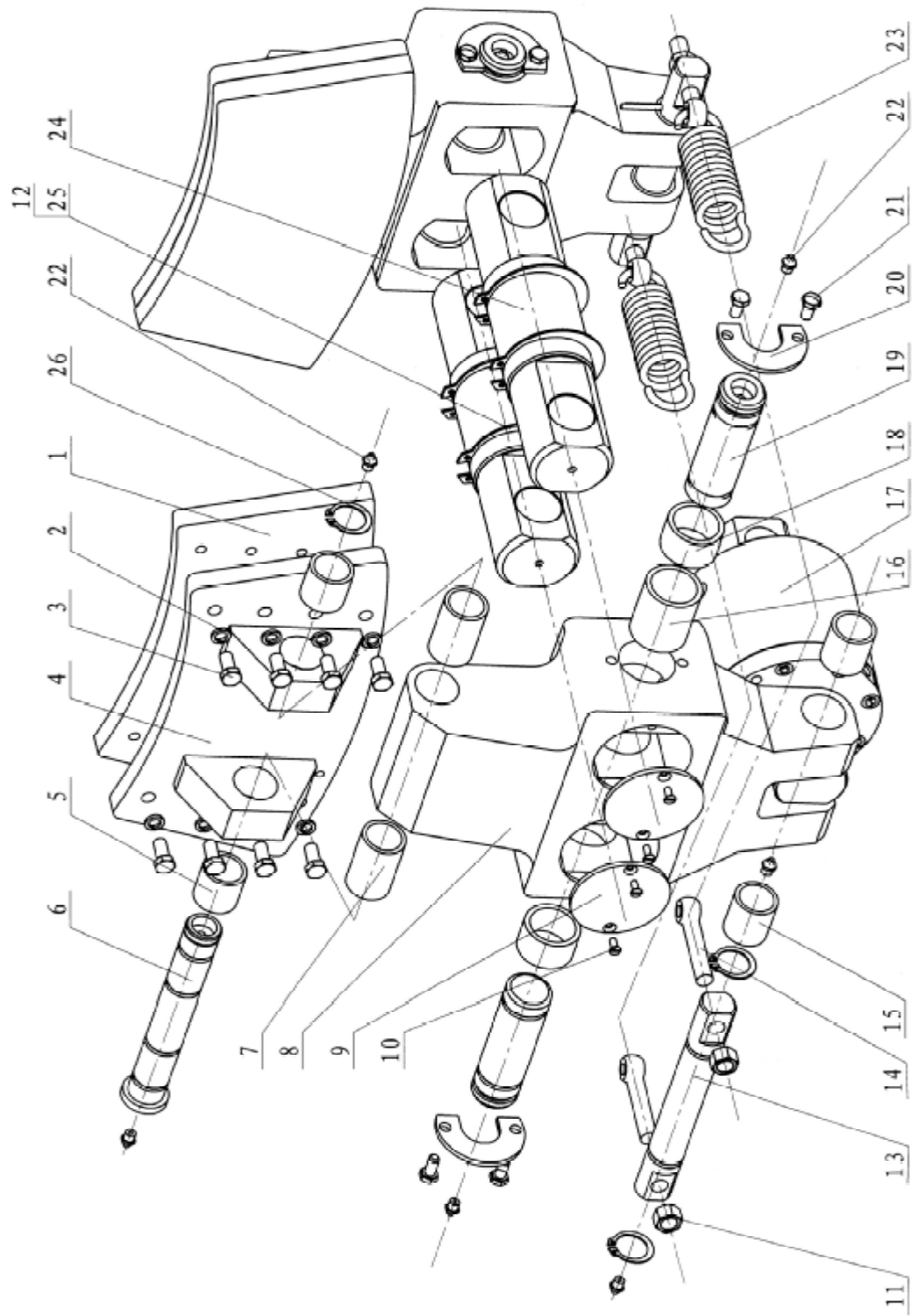
Part list (65C Emergency calipers)

Sn	Part №	Description	Q-ty	Weight	Remarks
—	BK-0-6C	Emergency caliper		220	0.11m³
1	BK-1-6A	Brake pad	2	5.8	
2	GB93-87	washer 12	12		
3	GB5782-86	Hexagon head bolt M12×30	12		
4	BK-2-6C	Steel backing	2	14.3	
5	BK-3-6C	Sleeve	4	0.15	
6	BK-4-6C	Clevis pin with head	2	1.7	
7	BK-3-6C1	Sleeve	6	0.25	
8	BK-5-6C	Lever	2	44	
9	BK-6-6A	Cover plate	4	0.28	
10	GB819-86	Slotted countersunk head screw M6×12	8		
11	BK-4-6C1	Clevis pin with head	2	1.08	
12	BK-3-6C2	Sleeve	4	0.17	
13	GB894.2-86	Circlip for shaft 30	4		
14					
15	BK-7-6C	Emergency caliper cylinder assembly	1	49	0.02 m ³
16	BK-3-6C3	Sleeve	4	0.39	
17	BK-3-6C4	Sleeve	4	0.17	
18	BK-4-6C2	Clevis pin	4	1.69	
19	BK-8-6A	Semicircle retaining ring	4	0.11	
20	GB5782-86	Hexagon head bolt M8×16	8		
21	GB894.2-86	Circlip for shaft 75	4		
22	BK-9-6C	Support arm	2	11.9	
23	BK-10-6A	baffle plate	4	0.08	
24	GB93-87	washer 8	8		
	BK-3-6C5	Sleeve of Support arm	4		

安全钳油缸
Safety caliper cylinder assembly



工作钳
Service caliper



盘刹零件明细表 (75A 工作钳)

序号	零件号	名称、规格	单机数量	重量 kg	体积
—	BK-00-7A	工作钳		200	0.11 m³
1	BK-1-7A	刹车片	2	5.8	
2	GB93-87	垫圈 12	16		
3	GB5782-86	六角头螺栓 M12×30	16		
4	BK-2-7A	钳体	2	14.3	
5	BK-3-7A	轴套	4	0.15	
6	BK-4-7A	销轴	2	1.7	
7	BK-3-7A1	轴套	4	0.25	
8	BK-5-7Ag	杠杆	2	44	
9	BK-6-7A	堵板	4	0.28	
10	GB879-86	螺钉 M6×12	8		
11	GB6170-86	螺母 M16	4		
12	BK-10-7A	挡板	4	0.08	
13	BK-4-7A3	销轴	2	1.77	
14	BK-11-7A	调节螺杆	4	0.18	
15	BK-3-7A2	轴套	4	0.17	
16	BK-3-7A3	轴套	2	0.39	
17	BK-7-7Ag	工作钳油缸总成	1	25.5	0.02 m ³
18	BK-3-7A4	轴套	4	0.17	
19	BK-4-7A2	销轴	4	1.69	
20	BK-8-7A	半圆挡圈	4	0.11	
21	GB5782-86	六角头螺栓 M10×16	8		
22	GB1152-79	压注油杯 M8×1	12		
23	BK-12-7A	拉簧	2	0.58	
24	BK-9-7A	支杆	2	11.9	
25	GB894.2-86	轴用弹性挡圈 85	4		
26	GB894.2-86	轴用弹性挡圈 35	6		
	GB93-87	垫圈 10	8		

Part list (75A Service calipers)

Sn	Part №	Description	Q-ty	Weight	Volume
—	BK-00-7A	Service caliper		200	0.11 m³
1	BK-1-7A	Brake pad	2	5.8	
2	GB93-87	Lock washer 12	18		
3	GB5782-86	Hexagon head bolt M12×30	18		
4	BK-2-7A	Steel backing	2	14.3	
5	BK-3-7A	Sleeve	4	0.15	
6	BK-4-7A	Clevis pin with head	2	1.7	
7	BK-3-7A1	Sleeve	4	0.25	
8	BK-5-7Ag	Lever	2	44	
9	BK-6-7A	Cover plate	4	0.28	
10	GB879-86	Slotted countersunk head screw M6×12	8		
11	GB6170-86	Nut M16	4		
12	BK-10-7A	Baffle plate	4	0.08	
13	BK-4-7A3	Clevis pin with head	2	1.77	
14	BK-11-7A	Adjusting screw	4	0.18	
15	BK-3-7A2	Sleeve	4	0.17	
16	BK3-7A3	Sleeve	2	0.39	
17	BK-7-7Ag	Service caliper cylinder assembly	1	25.5	0.02 m ³
18	BK-3-7A4	Sleeve	4	0.17	
19	BK-4-7A2	Clevis pin with head	4	1.69	
20	BK-8-7A	Semicircle retaining ring	4	0.11	
21	GB5782-86	Hexagon head bolt M8×16	8		
22	GB1152-79	Grease cup M8×1	12		
23	BK-12-7A	Spring	2	0.58	
24	BK-9-7A	Support arm	2	11.9	
25	GB894.2-86	Circlip for shaft 75	4		
26	GB894.2-86	Circlip for shaft 30	4		
	GB93-87	Washer10	8		

盘刹零件明细表 (75B 工作钳)

序号	零件号	名称、规格	单机数量	重量 kg	体积
—	BK-00-7B	工作钳		200	0.11 m³
1	BK-1-7A	刹车片	2	5.8	
2	GB93-87	垫圈 12	16		
3	GB5782-86	六角头螺栓 M12×30	16		
4	BK-2-7B	钳体	2	14.3	
5	BK-3-7B	轴套	4	0.15	
6	BK-4-7B	销轴	2	1.7	
7	BK-3-7B1	轴套	4	0.25	
8	BK-5-7Bg	杠杆	2	44	
9	BK-6-7A	堵板	4	0.28	
10	GB879-86	螺钉 M6×12	8		
11	GB6170-86	螺母 M16	4		
12	BK-10-7A	挡板	4	0.08	
13	BK-4-7B3	销轴	2	1.77	
14	BK-11-7A	调节螺杆	4	0.18	
15	BK-3-7B2	轴套	4	0.17	
16	BK-3-7B3	轴套	2	0.39	
17	BK-7-7Bg	工作钳油缸总成	1	25.5	0.02 m ³
18	BK-3-7B4	轴套	4	0.17	
19	BK-4-7B2	销轴	4	1.69	
20	BK-8-7A	半圆挡圈	4	0.11	
21	GB5782-86	六角头螺栓 M10×16	8		
22			无		
23	BK-12-7A	拉簧	2	0.58	
24	BK-9-7A	支杆	2	11.9	
25	GB894.2-86	轴用弹性挡圈 85	4		
26	GB894.2-86	轴用弹性挡圈 35	6		
	GB93-87	垫圈 10	8		

Part list (75B Service calipers)

Sn	Part №	Description	Q-ty	Weight	Volume
--	BK-00-7B	Service caliper		200	0.11 m³
1	BK-1-7A	Brake pad	2	5.8	
2	GB93-87	Lock washer 12	18		
3	GB5782-86	Hexagon head bolt M12×30	18		
4	BK-2-7B	Steel backing	2	14.3	
5	BK-3-7B	Sleeve	4	0.15	
6	BK-4-7B	Clevis pin with head	2	1.7	
7	BK-3-7B1	Sleeve	4	0.25	
8	BK-5-7Bg	Lever	2	44	
9	BK-6-7A	Cover plate	4	0.28	
10	GB879-86	Slotted countersunk head screw M6×12	8		
11	GB6170-86	Nut M16	4		
12	BK-10-7A	Baffle plate	4	0.08	
13	BK-4-7B3	Clevis pin with head	2	1.77	
14	BK-11-7A	Adjusting screw	4	0.18	
15	BK-3-7B2	Sleeve	4	0.17	
16	BK-3-7B3	Sleeve	2	0.39	
17	BK-7-7Bg	Service caliper cylinder assembly	1	25.5	0.02 m ³
18	BK-3-7B4	Sleeve	4	0.17	
19	BK-4-7B2	Clevis pin with head	4	1.69	
20	BK-8-7A	Semicircle retaining ring	4	0.11	
21	GB5782-86	Hexagon head bolt M8×16	8		
22					
23	BK-12-7A	Spring	2	0.58	
24	BK-9-7A	Support arm	2	11.9	
25	GB894.2-86	Circlip for shaft 75	4		
26	GB894.2-86	Circlip for shaft 30	6		
	GB93-87	Washer10	8		

盘刹零件明细表 (65A 工作钳)

序号	零件号	名称、规格	单机数量	重量 kg	体积
—	BK-00-6A	工作钳		200	0.11 m³
1	BK-1-6A	刹车片	2	5.8	
2	GB93-87	垫圈 12	12		
3	GB5782-86	六角头螺栓 M12×30	12		
4	BK-2-6A	钳体	2	14.3	
5	BK-3-6A	轴套	4	0.15	
6	BK-4-6A	销轴	2	1.7	
7	BK-3-6A1	轴套	4	0.25	
8	BK-5-6A	杠杆	2	44	
9	BK-6-6A	堵板	4	0.28	
10	GB819-86	螺钉 M6×12	8		
11	GB6170-86	螺母 M16	4		
12	BK-10-6A	挡板	4	0.08	
13	BK-4-6A3	销轴	2	1.77	
14	BK-11-7A	调节螺杆	4	0.18	
15	BK-3-6A6	轴套	4	0.17	
16	BK-3-6A3	轴套	2	0.39	
17	BK-7-7Ag	工作钳油缸总成	1	25.5	0.02 m ³
18	BK-3-6A4	轴套	4	0.17	
19	BK-4-6A2	销轴	4	1.69	
20	BK-8-6A	半圆挡圈	4	0.11	
21	GB5782-86	六角头螺栓 M8×16	8		
22	GB1152-79	压注油杯 M8×1	12		
23	BK-12-7A	拉簧	2	0.58	
24	BK-9-6A	支杆	2	11.9	
25	GB894.2-86	轴用弹性挡圈 75	4		
26	GB894.2-86	轴用弹性挡圈 30	6		

Part list (65A Service calipers)

Sn	Part №	Description	Q-ty	Weight	Volume
--	BK-00-6A	Service caliper		200	0.11 m³
1	BK-1-6A	Brake pad	2	5.8	
2	GB93-87	Lock washer 12	12		
3	GB5782-86	Hexagon head bolt M12×30	12		
4	BK-2-6A	Steel backing	2	14.3	
5	BK-3-6A	Sleeve	4	0.15	
6	BK-4-6A	Clevis pin with head	2	1.7	
7	BK-3-6A1	Sleeve	4	0.25	
8	BK-5-6A	Lever	2	44	
9	BK-6-6A	Cover plate	4	0.28	
10	GB819-86	Slotted countersunk head screw M6×12	8		
11	GB6170-86	Nut M16	4		
12	BK-10-6A	Baffle plate	4	0.08	
13	BK-4-6A3	Clevis pin with head	2	1.77	
14	BK-11-7A	Adjusting screw	4	0.18	
15	BK-3-6A6	Sleeve	4	0.17	
16	BK-3-6A3	Sleeve	2	0.39	
17	BK-7-7Ag	Service caliper cylinder assembly	1	25.5	0.02 m ³
18	BK-3-6A4	Sleeve	4	0.17	
19	BK-4-6A2	Clevis pin with head	4	1.69	
20	BK-8-6A	Semicircle retaining ring	4	0.11	
21	GB5782-86	Hexagon head bolt M10×16	8		
22	GB1152-79	Grease cup M8×1	12		
23	BK-12-7A	Spring	2	0.58	
24	BK-9-6A	Support arm	2	11.9	
25	GB894.2-86	Circlip for shaft 85	4		
26	GB894.2-86	Circlip for shaft 35	6		

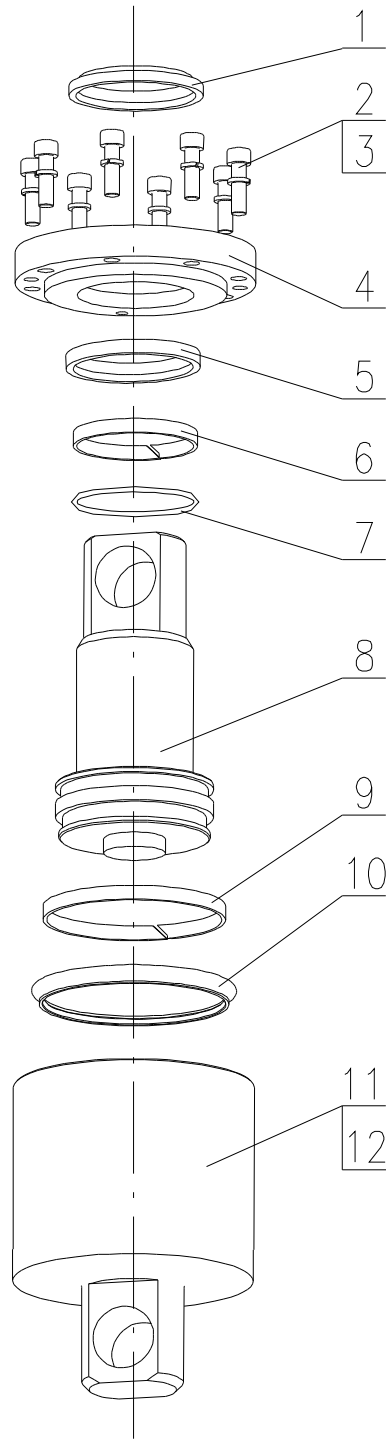
盘刹零件明细表 (65C 工作钳)

序号	零件号	名称、规格	单机数量	重量 kg	体积
—	BK-00-6C	工作钳		200	0.11 m³
1	BK-1-6A	刹车片	2	5.8	
2	GB93-87	垫圈 12	12		
3	GB5782-86	六角头螺栓 M12×30	12		
4	BK-2-6C	钳体	2	14.3	
5	BK-3-6C	轴套	4	0.15	
6	BK-4-6C	销轴	2	1.7	
7	BK-3-6C1	轴套	6	0.25	
8	BK-5-6C	杠杆	2	44	
9	BK-6-6A	堵板	4	0.28	
10	GB819-86	螺钉 M6×12	8		
11	GB6170-86	螺母 M16	4		
12	BK-10-6A	挡板	4	0.08	
13	BK-4-6C3	销轴	2	1.77	
14	BK-11-7A	调节螺杆	4	0.18	
15	BK-3-6C6	轴套	4	0.17	
16	BK-3-6C3	轴套	2	0.39	
17	BK-7-7Bg	工作钳油缸总成	1	25.5	0.02 m ³
18	BK-3-6C4	轴套	4	0.17	
19	BK-4-6C2	销轴	4	1.69	
20	BK-8-6A	半圆挡圈	4	0.11	
21	GB5782-86	六角头螺栓 M8×16	8		
22			无		
23	BK-12-7A	拉簧	2	0.58	
24	BK-9-6C	支杆	2	11.9	
25	GB894.2-86	轴用弹性挡圈 75	4		
26	GB894.2-86	轴用弹性挡圈 30	6		
	BK-3-6C5	支杆用轴套	4		

Part list (65C Service calipers)

Sn	Part №	Description	Q-ty	Weight	Volume
—	BK-00-6C	Service caliper		200	0.11 m³
1	BK-1-6A	Brake pad	2	5.8	
2	GB93-87	Lock washer 12	12		
3	GB5782-86	Hexagon head bolt M12×30	12		
4	BK-2-6C	Steel backing	2	14.3	
5	BK-3-6C	Sleeve	4	0.15	
6	BK-4-6C	Clevis pin with head	2	1.7	
7	BK-3-6C1	Sleeve	6	0.25	
8	BK-5-6C	Lever	2	44	
9	BK-6-6A	Cover plate	4	0.28	
10	GB819-86	Slotted countersunk head screw M6×12	8		
11	GB6170-86	Nut M16	4		
12	BK-10-6A	Baffle plate	4	0.08	
13	BK-4-6C3	Clevis pin with head	2	1.77	
14	BK-11-7A	Adjusting screw	4	0.18	
15	BK-3-6C6	Sleeve	4	0.17	
16	BK-3-6C3	Sleeve	2	0.39	
17	BK-7-7Bg	Service caliper cylinder assembly	1	25.5	0.02 m ³
18	BK-3-6C4	Sleeve	4	0.17	
19	BK-4-6C2	Clevis pin with head	4	1.69	
20	BK-8-6A	Semicircle retaining ring	4	0.11	
21	GB5782-86	Hexagon head bolt M10×16	8		
22					
23	BK-12-7A	Spring	2	0.58	
24	BK-9-6C	Support arm	2	11.9	
25	GB894.2-86	Circlip for shaft 85	4		
26	GB894.2-86	Circlip for shaft 35	6		
	BK-3-6C5	Sleeve of Support arm	4		

工作钳油缸
Service caliper cylinder



盘刹零件明细表 (75A 工作钳油缸总成)

序号	零件号	名称、规格	单机数量	重量 kg	体积
—	BK-7-7Ag	工作钳油缸总成		28	0.02 m³
1	BK-SR-1	密封圈	1		
2	GB70-85	螺栓 M10×30	8		
3	GB93-87	垫圈 12	8		
4	BK-7-7Ag1	端盖	1	2.9	
5	BK-SR-2	密封圈	1		
6	BK-GB-1	导向带 L=255	1		
7	BK-SR-7	密封圈	1		
8	BK-7-7Ag2	活塞	1	8.9	
9	BK-GB-2	导向带 L=380	1		
10	BK-SR-6	密封圈	1		
11	BK-7-7Ag3	缸体	1	13.08	
12	Bk-7-7Ag4	轴套	2	0.37	

Part list (75A Service caliper cylinder assembly)

Sn	Part №	Description	Q-ty	Weight	Volume
—	Bk-7-7Ag	service caliper cylinder assembly		25.5	0.02 m³
1	BK-SR-1	sealing ring	1		
2	GB70-85	Bolt M10×30	8		
3	GB93-87	Washer 12	8		
4	BK-7-7Ag1	Cover	1	2.9	
5	BK-SR-2	sealing ring	1		
6	BK-GB-1	Guide band L=255	1		
7	BK-SR-7	sealing ring	1		
8	BK-7-7Ag2	Piston	1	8.9	
9	BK-GB-2	Guide band L=380	1		
10	BK-SR-6	sealing ring	1		
11	BK-7-7Ag3	Hydraulic cylinder	1	13.08	
12	Bk-7-7Ag4	Axle sleeve	2	0.37	

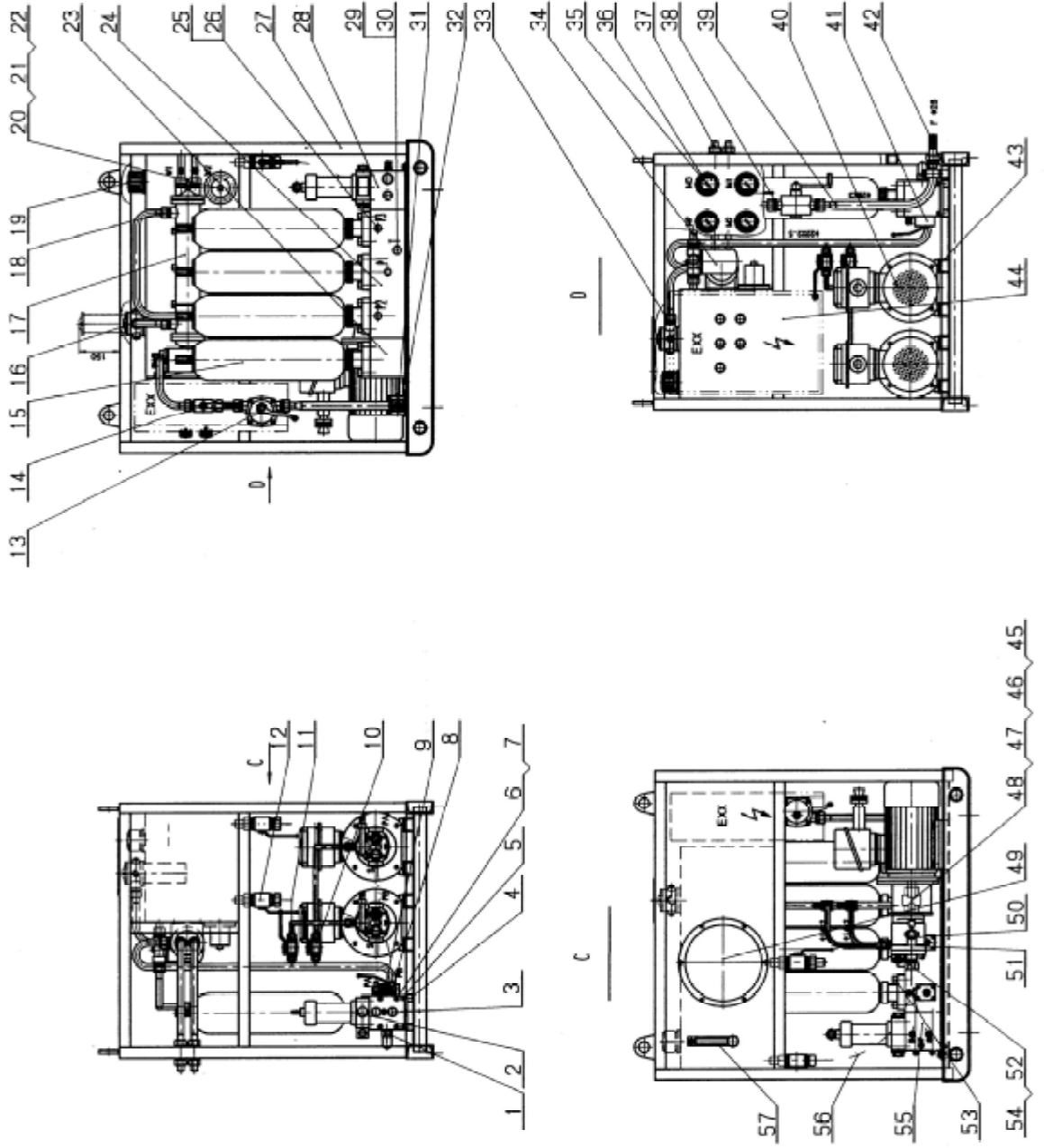
盘刹零件明细表 (75B 工作钳油缸总成)

序号	零件号	名称、规格	单机数量	重量 kg	体积
—	BK-7-7Bg	工作钳油缸总成		28	0.02 m³
1	BK-SR-1	密封圈	1		
2	GB70-85	螺栓 M10×30	8		
3	GB93-87	垫圈 12	8		
4	BK-7-7Ag1	端盖	1	2.9	
5	BK-SR-2	密封圈	1		
6	BK-GB-1	导向带 L=255	1		
7	BK-SR-7	O 形密封圈 d118×2.65	1		
8	BK-7-7Bg2	活塞	1	8.9	
9	BK-GB-2	导向带 L=380	1		
10	BK-SR-6	密封圈	1		
11	BK-7-7Bg3	缸体	1	13.08	
12	Bk-7-7Bg4	轴套	2	0.37	

Part list (75B Service caliper cylinder assembly)

Sn	Part №	Description	Q-ty	Weight	Volume
—	BK-7-7Bg	service caliper cylinder assembly		25.5	0.02 m³
1	BK-SR-1	sealing ring	1		
2	GB70-85	Bolt M10×30	8		
3	GB93-87	Washer 12	8		
4	BK-7-7Ag1	Cover	1	2.9	
5	BK-SR-2	sealing ring	1		
6	BK-GB-1	Guide band L=255	1		
7	BK-SR-7	“O” ring d118×2.65	1		
8	BK-7-7Bg2	Piston	1	8.9	
9	BK-GB-2	Guide band L=380	1		
10	BK-SR-6	sealing ring	1		
11	BK-7-7Bg3	Hydraulic cylinder	1	13.08	
12	Bk-7-7Bg4	Axle sleeve	2	0.37	

液压站 Hydraulic power unit



盘刹零件明细表 (液压站)

序号	零件号	名称、规格	单机数量	重量 kg	备注
—	BK-Z	液压站		750	1.2*1.1*1.3m ³
1	BK-F-Y	直动式溢流阀	1		
2	ZU.1-E25×10BD-P	倒装式压力管路过滤器	1		
3	BK-F-D	单向阀	5		
4	90251000	螺母	4		
5	GB70-85	螺钉 M10×25	8		
6	MECC 标准	双头螺栓 M10×50	4		
7	MECC 标准	螺母 M10	4		
8	JB984	接头体 M14×1.5/ M22×1.5	2		
9	PT-7	测压接头 G1/4" /M16	5		
10	BK-F-G1	高压球芯截止阀	2		
11	JB1885-77	高压胶管总成 221-600KA	2		
12	BK-F-G2	高压球芯截止阀	3		
13	QH-25	手摇泵	1		
	QJH-15G	高压球芯截止阀	1		1
15	NXQ-F6.3/200	蓄能器	4		
16	RFA-40×10Y	直回式回油滤油器	1		
17	KMCL-3Y04	冷却器	1		
18	JB966	管接头 M22/ ZG3/4"	6		
19	QUQ2	空气滤清器	1		
20	BGY2-120/1	隔爆电加热器	1		
21	GB1235-76	O 形圈 $\phi 75 \times 3.1$	1		
22	GB70-85	螺钉 M8×18	4		
23	90251002	油路块	1		
24	902510010262004	油路块	1		
25	0262004	接头体	1		
26	HA050200	快换接头 1/4BSP	3		
27	90252000	液压站箱体	1		
28	9025100	控制阀块总成	1		
29	90262003	接头体	1		

盘刹零件明细表 (液压站)

序号	零件号	名称、规格	单机数量	重量 kg	备注
30	HA050100	快换接头 3/8BSP	1		
31	THPG1-228	塑料管夹	1		
32	HB970	管接头 28	1		
33	JB966	管接头 22/ M27×2	1		
34	SP-06×25	旋转式管路过滤器	1		
35	YN60-III	压力表 0-16MPa	4		
36	HFH2-P1-2-P-1.5	测压软管	4		
37	JB974	隔壁直通式管接头 22	2		
38	JB966	管接头 22/ G1/2"	2		
39	22/28	变径管 22/28	2		
40	YB100L1-4W	防爆电机 B35	2		
41	BK-F-G3	高压球芯截止阀	3		
42	d20mm	带加强筋的 PVC 管	1		
43	GB5780-86	螺钉 M10×35	8		
44	EXX	隔爆电控箱	1		
45	GB5780-86	螺栓 M12×30	8		
46	GB5780-86	螺栓 M10×35	8		
47	90261001	套筒法兰	2		
48	ML2	梅花联轴器	2		
49	Tank90L	油箱 90L	1		
50	A10V	柱塞泵	2		
51	JB966.4.00	管接头	2		
52	JB984	接头体	2		
53	GB70-85	螺钉 M16×45	24		
54	JB984	接头体	2		
55	JB1885	高压胶管总成	1		
56	JB1885	高压胶管总成	2		
57	YW2-150	液位温度计	1		

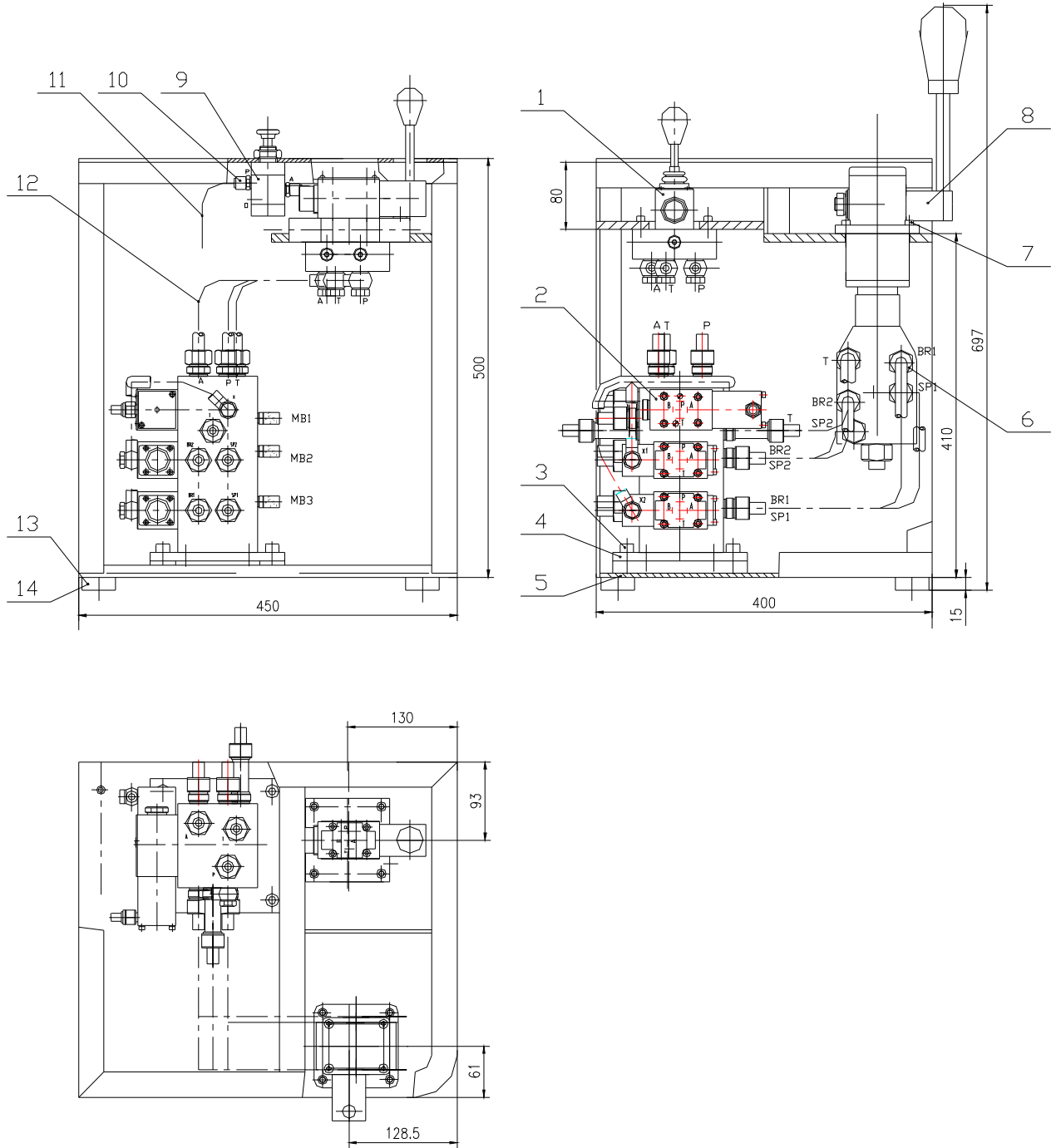
Part list (hydraulic station)

Sn	Part №	Description	Q-ty	Remarks
—	BK-Z	hydraulic power unit		650kg
1	BK-F-Y	Overflow valve	1	
2	ZU.1-E25×10BD-P	Pipeline oil filter (Filter element HDX-25×10)	1	
3	BK-F-D	Check valve	5	
4	90251000	Nut	4	
5	GB70-85	Screw M10×25	8	
6	MECC	Twin head bolt M10×50	4	
7	MECC	Nut M10	4	
8	JB984	Connector M14×1.5/ M22×1.5	2	
9	PT-7	Pressure measuring connector G1/4" /M16	5	
10	BK-F-G1	Global valve	2	
11	JB1885-77	High-pressure hose 221-600KA	2	
12	BK-F-G2	Global valve	3	
13	QH-25	Manual pump	1	
	QJH-15G	Global valve	1	
15	NXQ-F6.3/200	Accumulator	4	
16	RFA-40×10Y	Returning oil filter (Filter element FAX-40×10)	1	
17	KMCL-3Y04	Cooler	1	
18	JB966	Connector M22/ ZG3/4"	6	
19	QUQ2	Air filter	1	
20	BGY2-220/1	Explosion-proof heater	1	
21	GB1235-76	O sealing ring ϕ 75×3.1	1	
22	GB70-85	Screw M8×18	4	
23	90251002	Integrated oil-way block	1	
24	902510010262004	Integrated oil-way block	1	
25	0262004	Connector	1	
26	HA050200	Quick coupling 1/4BSP	3	
27	90252000	Hydraulic station case	1	
28	9025100	Integrated oil-way block	1	
29	90262003	Connector	1	

Part list (hydraulic station)

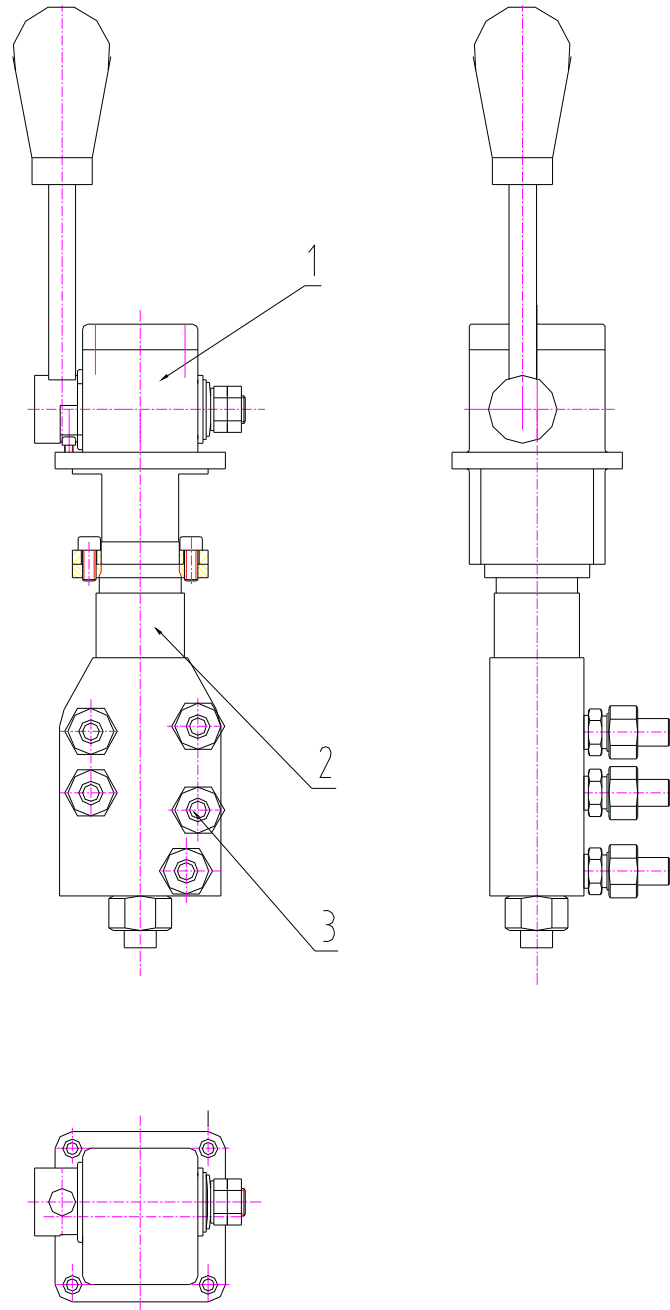
Sn	Part №	Description	Q-ty	Remarks
30	HA050100	Quick coupling 3/8BSP	1	
31	THPG1-228	Plastic clamp	1	
32	HB970	Connector	1	
33	JB966	Connector	1	
34	SP-06×25	Pipeline oil filter (Filter element SPX-06×25)	1	
35	YN60-III	Pressure gauge 0-16MPa	4	
36	HFH2-P1-2-P-1.5	Pressure measuring hose	4	
37	JB974	Connector 22	2	
38	JB966	Connector 22/ G1/2"	2	
39	22/28	Variable-diameter pipe 22/28	2	
40	YB100L1-4W	Explosion-proof motor B35	2	
41	BK-F-G3	Global valve	3	
42	d20mm	PVC pipe	1	
43	GB5780-86	Screw M10×35	8	
44	EXX	Explosion-proof electric box	1	
45	GB5780-86	Bolt M12×30	8	
46	GB5780-86	Bolt M10×35	8	
47	90261001	Box flange	2	
48	ML2	Quincunx coupling	2	
49	Tank90L	Tank 90L	1	
50	A10V	Constant pressure plunger pump	2	
51	JB966.4.00	Connector	2	
52	JB984	Union coupling	2	
53	GB70-85	Screw M16×45	24	
54	JB984	Union coupling	2	
55	JB1885	High-pressure hose	1	
56	JB1885	High-pressure hose	2	
57	YW2-150	Oil level/ temperature gauge	1	

操作系统 Control system

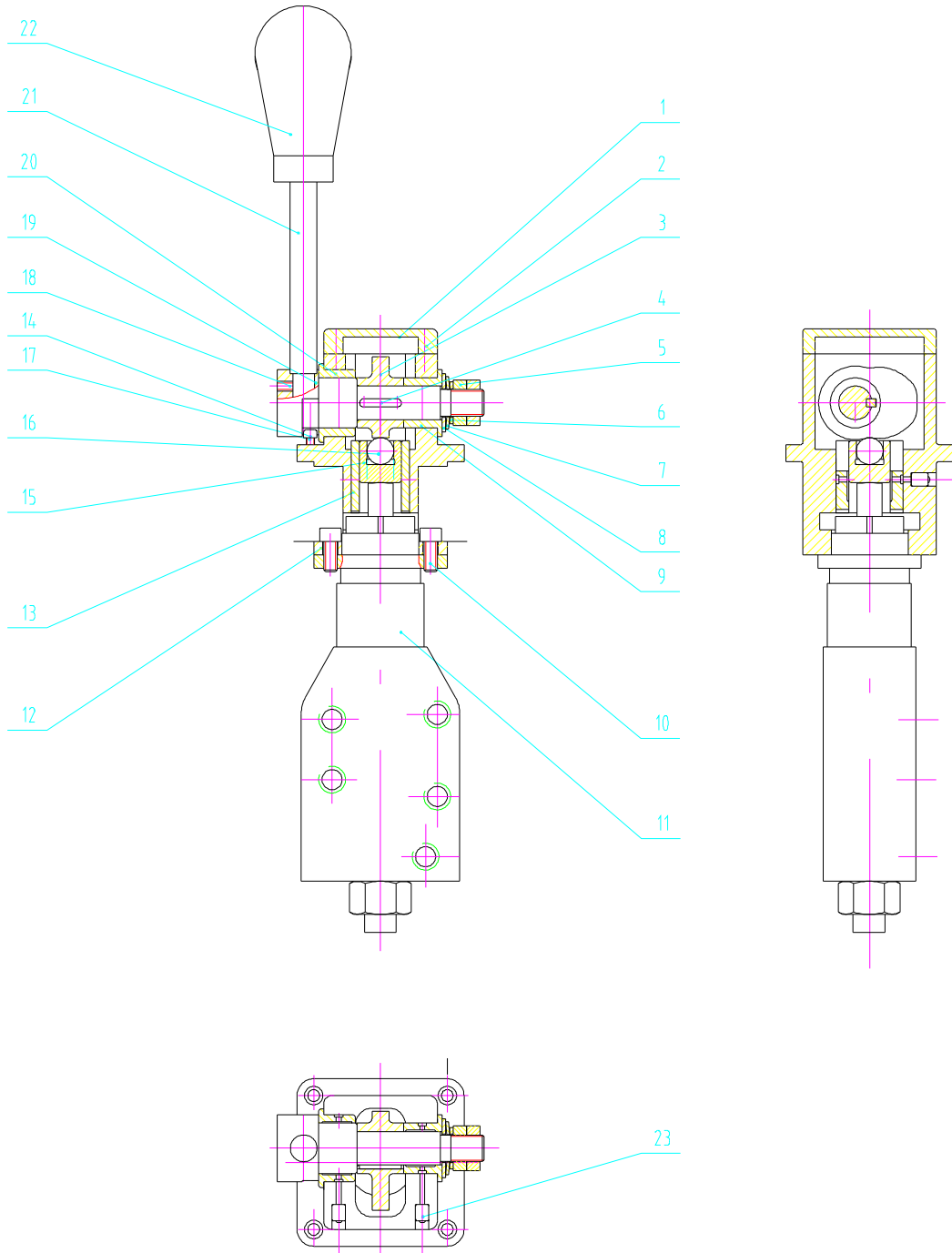


操作阀总成

Brake valve assembly

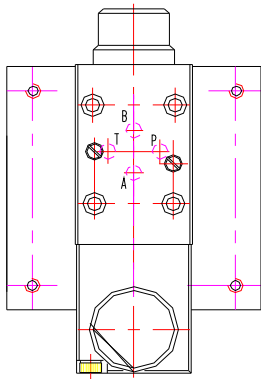
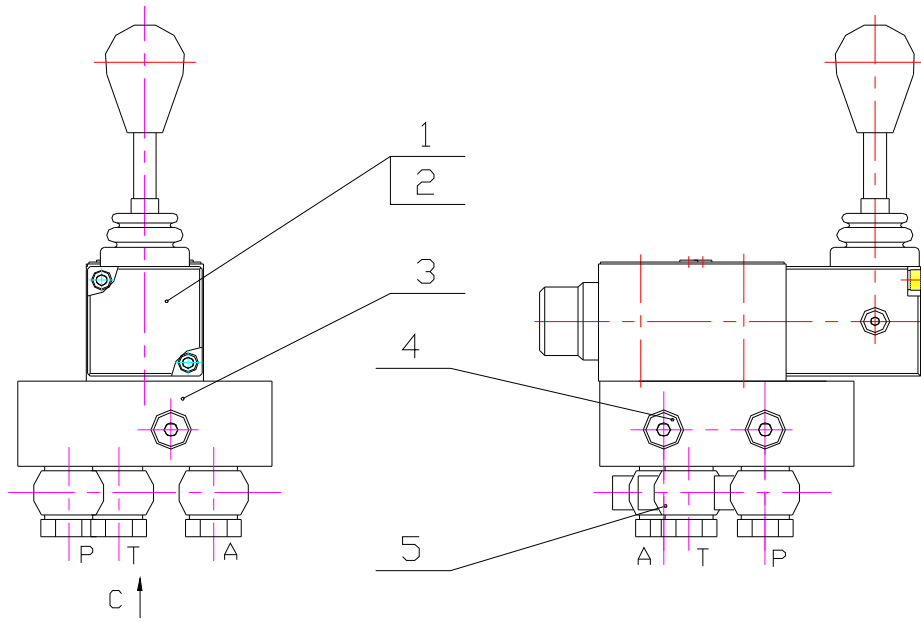


操作阀总成
Service brake valve assembly

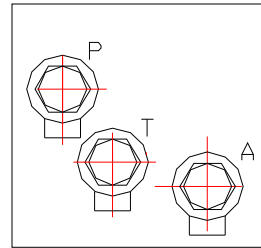


操作台阀组 1

Valve group 1



C 向



盘刹零件明细表（操作系统）

序号	零件号	名称、规格	数量	备注
—	TK30-01-00	操作台阀组 1		
1	BK-F-Z	驻车阀	1	
2	GB/T70.1-2000	螺钉 M5x30	4	
3	TK30-01-01	底板	1	
4	JB/ZQ4444-1997	螺塞 M10x1	4	
5	JB/T978-1977	管接头 14	3	

Part list（control system）

SN	Part №	Description	Q-ty	Remarks
—	TK30-01-00	Valve group 1		
1	BK-F-Z	Parking brake valve	1	
2	GB/T70.1-2000	Bolt M5x30	4	
3	TK30-01-01	Base board	1	
4	JB/ZQ4444-1997	Plug M10x1	4	
5	JB/T978-1977	Connector 14	3	

操作台阀组 2

Valve group 2

